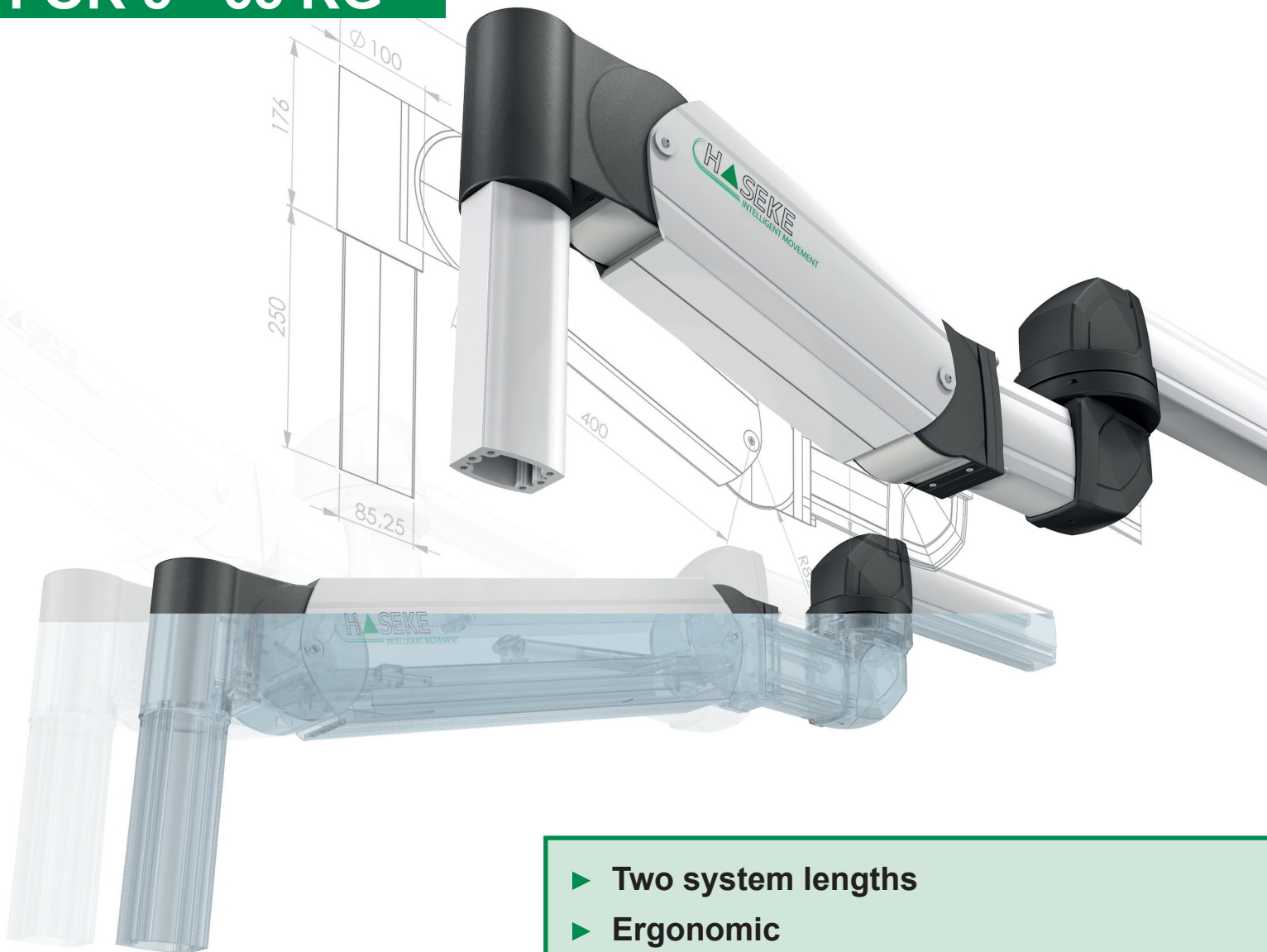


HMA LIFT 65

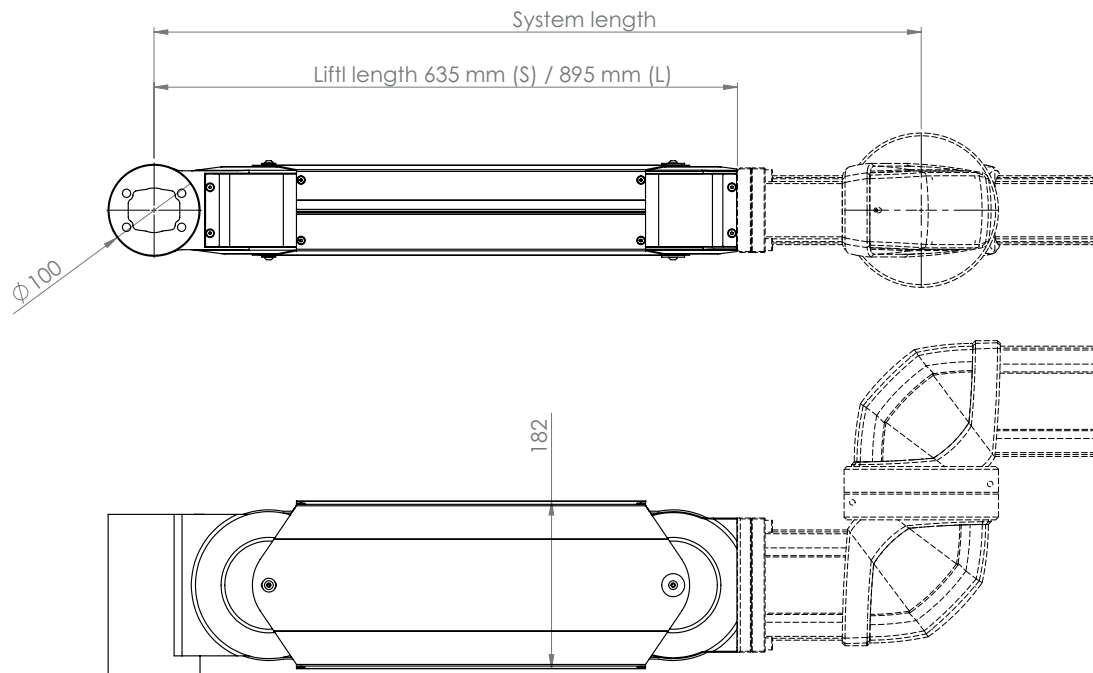
THE HEIGHT ADJUSTABLE INDUSTRIAL SUSPENSION ARM FOR 5 - 65 KG



- ▶ Two system lengths
- ▶ Ergonomic
- ▶ Fatigue-free working
- ▶ Particularly low actuation forces
- ▶ Intuitive operation
- ▶ Easy cable laying

THE HEIGHT ADJUSTABLE INDUSTRIAL SUSPENSION ARM HMA LIFT 65 S/L

- ▶ Standard color combination:
RAL 7016 / RAL 7035
- ▶ Vertical swivel angle +/- 40° with stepless adjustable stroke limitation up to +/- 0°
- ▶ Load suspension in parallel on the head joint
- ▶ Automatic blocking of vertical movement in any position over the entire stroke (option)
- ▶ Continuous fine adjustment within the load range
- ▶ Maximum internal cable routing 45 x 30 mm
- ▶ Integrated brake



▶ Modell	HMA LIFT 65 S	HMA LIFT 65 L
▶ Lift length	635 mm	895 mm
▶ Interface	500 mm	900 mm
▶ Head joint with mounting for	HLT (180) Profile tube	HLT (180) Profile tube