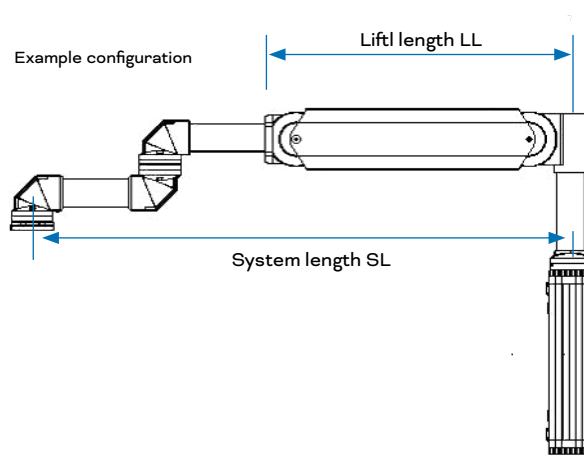


HMA Lift Systems Configuration Sheet

Company		Contact partner		Department	
Street		Zip Code	City + Country		
Phone	e-mail				
Consignment	Quantity	Customer number (if available)			

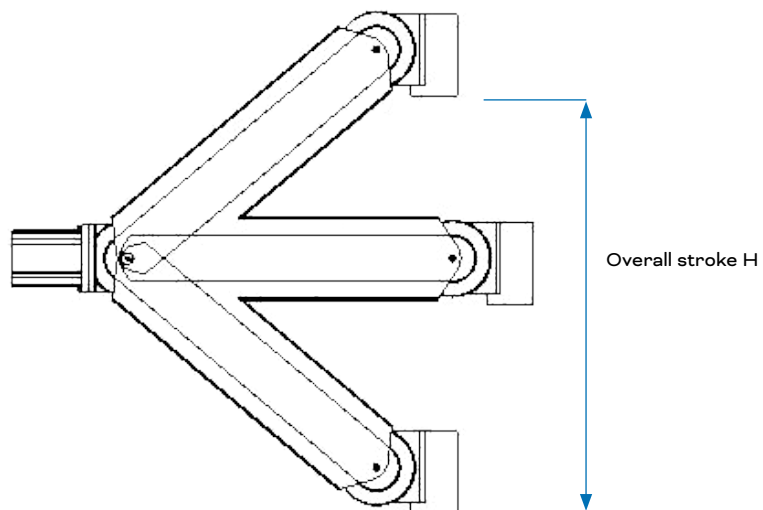
Loading weight: _____ **kg** (Mounted components including enclosure) **Cable volume:** _____ **ø mm**

Lift length: LL _____ **mm**



System length: SL _____ **mm**

Overall stroke: H _____ **mm**



Lift system series (if known):

- HMA Lift 20
 HMA Lift 25
 HMA Lift 65
 HMA Lift 95